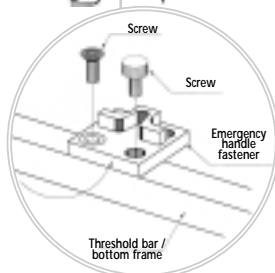
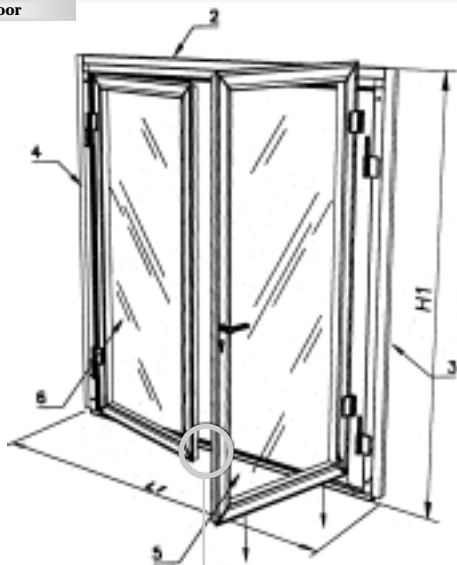


DOORS

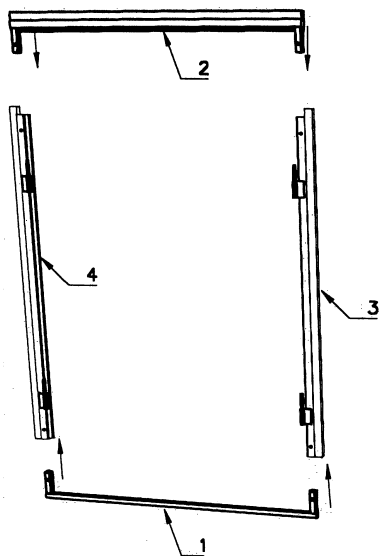
Aluminium doors - Glazed doors Access ramps



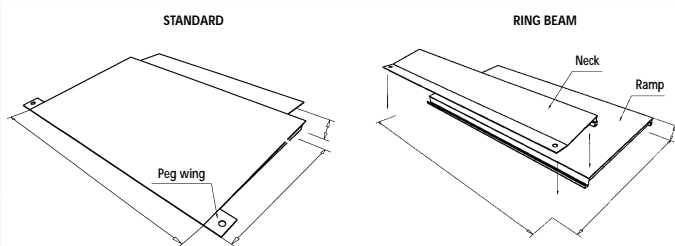
Glazed door



Threshold bar detail



Door frame detail



Access ramp

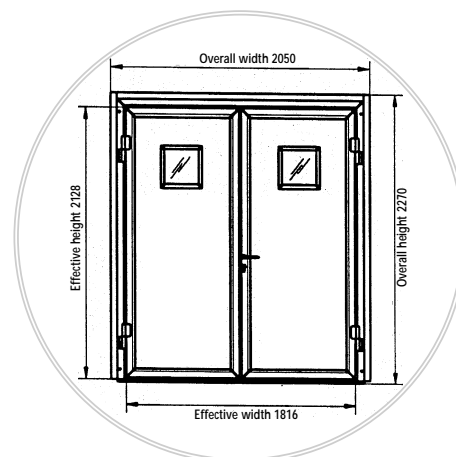
Specifications

	Diagram ref	Ht 2.20 m*
Threshold bar / bottom frame	1	30/20
Cross beam / top frame	2	102/50
Right frame	3	102/50
Left frame	4	102/50
Right leaf	5	89/50
Left leaf	6	89/50
Exterior width	L1	1.97 m
Exterior height	H1	2.17 m

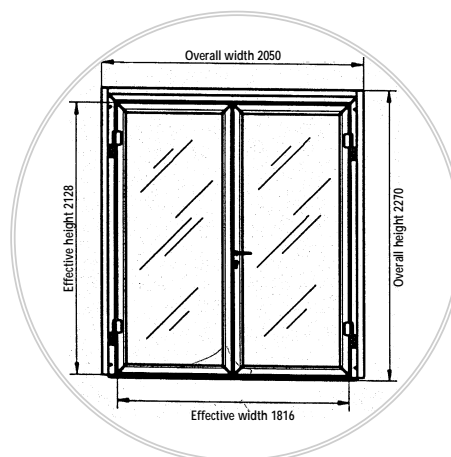
*Also available in ht 2.10 m

Packaging

	Aluminium or glazed door	Ring beam ramp
Weight without packaging	90 kg	50 kg per 1 m element Neck : 20 kg
Description of packaging	Door on rack Ramp loose	



Dimountable aluminium door



Dimountable glazed door