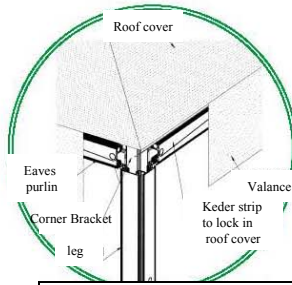
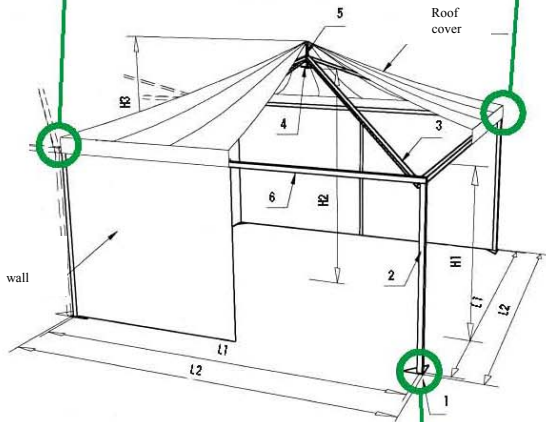


Juxtaped structures



Roof tension



City Cottage,
3x3, 4x4 and 5x5
Ht 2,20 and 2,50 m

Specifications		3x3 m		4x4 m		5x5 m	
		ht 2,20m	ht 2,50m	ht 2,20m	ht 2,50m	ht 2,20m	ht 2,50m
Span	L2	3	3	4	4	5	5
Distance between leg centres	L1	2,9	2,9	3,9	3,9	4,9	4,9
External ridge height	H3	3	3,3	3,15	3,45	3,4	3,7
Internal ridge height	H2	2,6	2,9	2,84	3,14	3,06	3,36
Eaves height	H1	2,14	2,44	2,14	2,44	2,14	2,44
Long side bay	L2	3	3	4	4	5	5
Base Plate	1	237x237	237x237	237x237	237x237	237x237	237x237
Leg	2	63x63	63x63	63x63	63x63	63x63	63x63
Roof Brace	3	40x40	40x40	40x40	40x40	40x40	40x40
Central junction	4						
Cone + extension	5						
Eaves purlin	6	63x63	63x63	63x63	63x63	63x63	63x63

Erection/dismantling	3x3 m	4x4 m	5x5 m
Number of people	2	2	2
Total duration of erection vehicles + duration	20 mm	30 mm	40 mm
Necessary equipment not provided	2 no. 3m step ladders, 1 sledgehammer, 1 crow bar		
Time saved for dismantling	30%		

* examples details and explanations page 112

Anchoring and weighting	Anchoring			Weighting	
	Uplift force kg	Coef.	Number of pegs	Uplift force kg	Coef.
Structure 3x3 m	210	2	2 lg 500	170	1,65
Structure 4x4 m	225	2	2 lg 500	185	1,65
Structure 5x5 m	350	2	2 lg 500	290	1,65

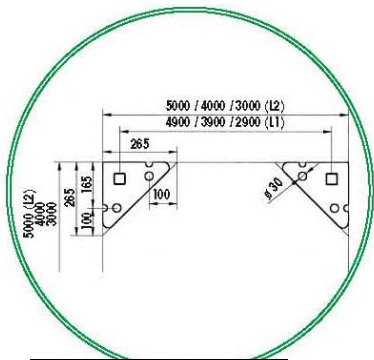
* examples details and explanations page 112

Load Bearing	Height 2,20 and 2,50
With snow	F = 0 kg
Without snow	F = 50 kg

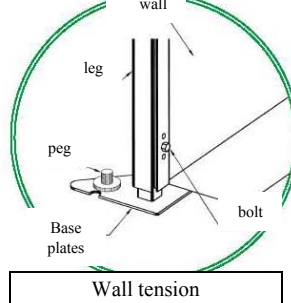
* examples details and explanations page 112

Packaging	Frame			Covers			Example *
	3x3	4x4	5x5	3x3	4x4	5x5	
Weight w/without packaging ht 2,20 m (kg)	78	87	96	34	50	68	
Weight w/without packaging ht 2,50 m (kg)	80	89	98	39	55	73	171
Number of pallets - covers 0,80x1,20x0,60 m							1
Number of frame bundles 2,90/3,90/4,90x0,35x0,45 m							1
Number of boxes 0,60x0,40x0,35 m							1
Longest piece : Eaves purlin 2900/3900/4900 mm							
Description of packaging, Covers in bags on pallet, Frame in bundles accessories in boxes							

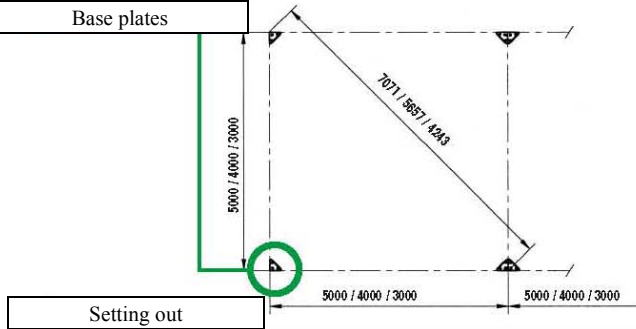
* Calculated on basis of complete structures, not mixed



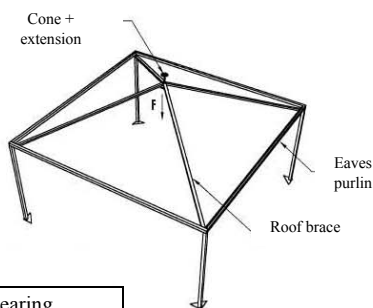
Base plates



Wall tension



Setting out



Load Bearing