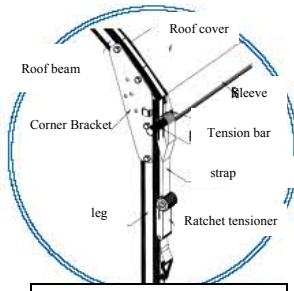


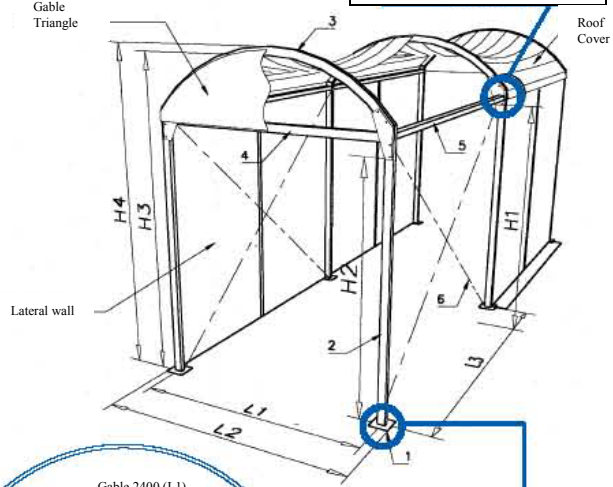
ARCHED WALKWAY

Span 2.40 m,

Ht 2,30 and 2,50 m



Roof tension



Specifications	Span 2,4 m		
		ht 2,30m	ht 2,50m
Span	L1	2,4	2,4
Overall Width	L2	2,6	2,6
External lateral height		2,31	2,51
Internal lateral height	H2	2,03	2,23
External ridge height	H4	2,95	3,15
Internal ridge height	H3	2,87	3,07
Height at gable cross beam		2,26	2,46
Under eaves height	H1	2,26	2,46
Long side span	L3	3,5	3,5
Gable span	L1	2,4	2,4
Base Plate	1	200x200	200x200
Leg	2	80x50	80x50
Roof Beam	3	80x50	80x50
Gable cross beam	4	80x50	80x50
Eaves purlin	5	80x50	80x50
Lateral bracing cable	6	Ø 5 mm	Ø 5 mm

Erection/dismantling	Example 2,4x3,5m
Number of people	3
Total duration of erection	1,30 hours
vehicles + duration	-
Necessary equipment provided with frame	1 measuring bar 7 m, 1 handle for ratchet tensioner
Necessary equipment not provided	2 no. 3m ladders, 1 no. 20 m measuring tape sledgehammers, hammers, adjustable spanners
Time saved for dismantling	20%

* exemples details and explanations page 112

Anchoring and weighting	Anchoring			Weighting	
	Uplift force kg	Coef.	Number of pegs	Uplift force kg	Coef.
Common + intermediate braced base plate	500	2	2 lg 500	410	1,65

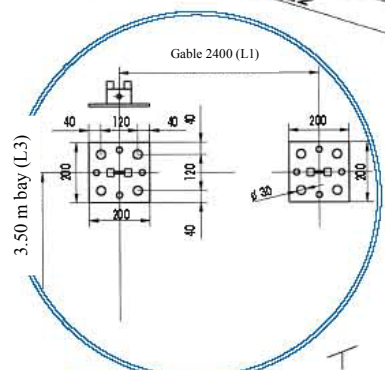
* exemples details and explanations page 112

Load Bearing	Height 2,30 and 2,50
With snow	F = 0 kg
Without snow	F = 40 kg

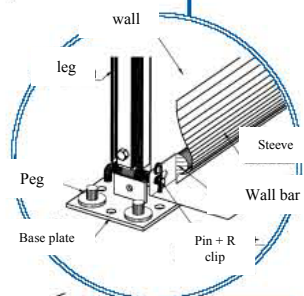
* exemples details and explanations page 112

Packaging	Frame 2,40 m	Covers 2,40 m	Ex.* 2,4x7x2,3
Weight w/without packaging MB (kg)	148	30	184
Weight w/without packaging MS (kg)	95	22	
Weight w/without packaging CV/Bay (kg)	6		
Number of cover racks			1
Number of frame racks			1
Number of boxes/crates			1
Theoretical surface required for transport by lorry on rack			4x1,2 m
Theoretical surface required for transport by lorry in bundles			4x1,2 m
Theoretical number of structures per container (in bundles) 20' dry			15
Theoretical number of structures per container (in bundles) 40' open-top			30
Longest piece : ground rail 3600 mm			
Description of packaging, Covers in bags, on pallet or on rack, Frame in bundles, loose or rack			

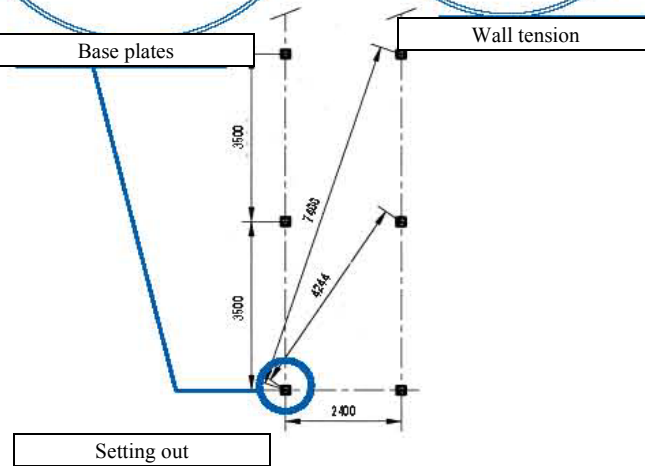
* Calculated on basis of complete structures, not mixed



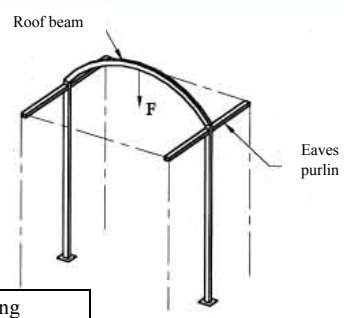
Base plates



Wall tension



Setting out



Load Bearing